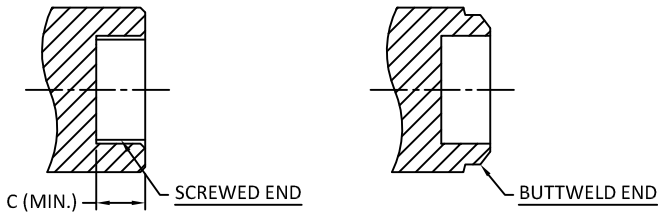
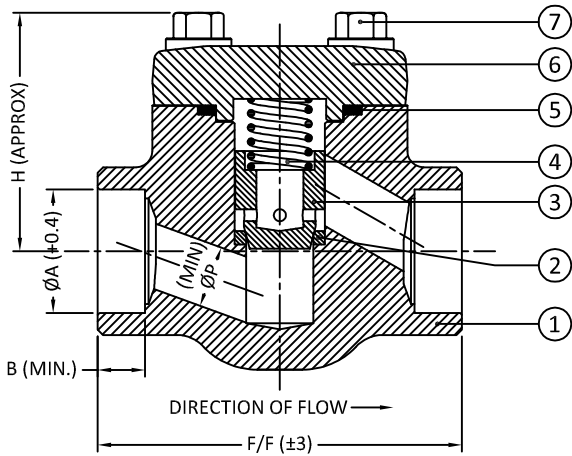


CHECK VALVE - 1500#



Application Standards

- 1 - Design and manufacture conform to API 602 / ISO 15761
- 2 - Connection ends conform to
 - 1) Socket weld standard :- ASME B16.11.
 - 2) Screwed end standard :- ASME B1.20.1.
 - 3) Butt-weld standard :- ASME B16.25.
- 3 - Testing standard API 598
- 4 - Structure features
 - Bolted cover
 - Welded cover
- 5 - Materials conform to ANSI / ASTM
- 6 - Main materials
 - A105, F304, F304L, F316, F316L, F5, F9, F11, F22, F51, F55, F91, LF2.

1500#						
SIZES	F/F	ØP	ØA	B	C	H
15 mm	80	8.0	21.8	9.5	14.0	56
20 mm	100	9.0	27.2	12.5	16.0	66
25 mm	145	14.0	33.9	12.5	20.0	86
32 mm	145	20.0	42.7	12.5	20.0	86
40 mm	160	25.0	48.8	12.5	24.0	104
50 mm	172	27.0	61.2	16.0	26.0	127

HYDRO TEST PRESSURE (15 Sec.)	
1500#	
SHELL/BODY	390 kg / cm ²
SEAT	290 kg / cm ²

NO.	DESCRIPTION	MATERIALS	Qty.
7	HEX BOLT	ASTM A 193 GR. B7/B8/B8M	4
6	CHECK PLATE	ASTM A105/F304/F304L/F316/F316L/F5/F9/F11/F22/F51/F55/F91/LF2	1
5	GASKET	SS-304 SPRIAL WOUNDED GRAPHITE	1
4	SPRING	ASTM A 313 GR. SS-304/304L/316/316L	1
3	PLUG	ASTM A 276 TYPE SS-410/304/304L/316/316L	1
2	SEAT RING	ASTM A 182 GR. F6a/F304/F304L/F316/F316L	1
1	BODY	ASTM A105/F304/F304L/F316/F316L/F5/F9/F11/F22/F51/F55/F91/LF2	1